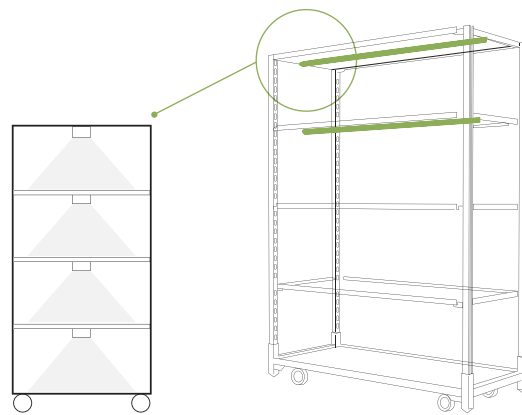


# DC CART with led kit **NATURAL INDOOR**

The use of LED lamps is an innovation that offers numerous advantages over conventional NEON lamps. In particular the possibility to adjust the amount of light and the light spectrum (light colour) specific to the needs of the plant. The **NATURAL INDOOR LED** kit is the ideal light for **stimulating plant growth**.



cart  
**CIRCULAR series**

- 4 shelves
- 1 led light per shelf (4 tot)
- Distance between shelves 40 cm
- (LxWxH) 1350x565x1900 mm

LED	CIRCULAR
USAGE	Cultivation
LIGHT SPECTRUM	Full par (Blue-White-Red)
PPF	48
PPFD	45 - 85
POWER	24 V
DC voltage	220 (driver incluso)
Beam angle	115°
Temperature amb	Max 35°   Min -20°
Degree of protection	IP67
DIMENSIONS L x W x H	1290 x 28 x 28 mm